



FILL & BLEED TOGGLE VALVES

Fill and Bleed Applications

The FBV-3 may be used to pressurize or "fill" a chamber or bladder by depressing the toggle in one direction and then de-pressurize or "bleed" that same chamber or bladder by depressing the toggle in the other direction. Toggling back and forth between the inlet and exhaust provides a fine adjustment of the required pressure in the chamber or bladder.

Medium: Air

Materials: Brass body, Buna-N seals, stainless steel stem and spring

Input Pressure: 120 psig max.

Air Flow:

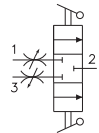
Adjustable	Full-Flow (-F)
3.0 scfm @ 50 psig	4.5 scfm @ 50 psig
5.0 scfm @ 100 psig	7.5 scfm @ 100 psig

Model Number				
FBV-3D & FBV-3DF FBV-3DP	#10-32 1/8" NPT	Detented	SPRING CENTERED all ports blocked	Detented
FBV-3M & FBV-3MF FBV-3MP	#10-32 1/8" NPT	Momentary		Momentary
FBV-3DM & FBV-3DMF FBV-3DMP	#10-32 1/8" NPT	Detented		Momentary

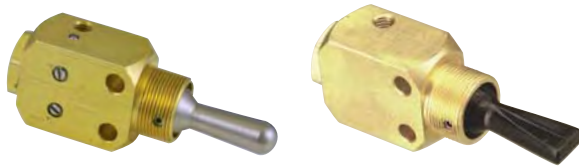
Force For Full Stem Travel: 8 oz. nominal

Toggle: Plastic or ENP Brass

Mounting: 5/8-32 thread. Nut and lockwashers furnished.
Two 0.171 mounting holes in body or may be mounted directly on a cylinder

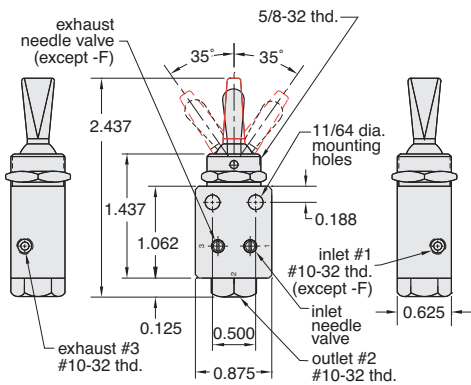


3 Position Fill & Bleed Valves, #10-32

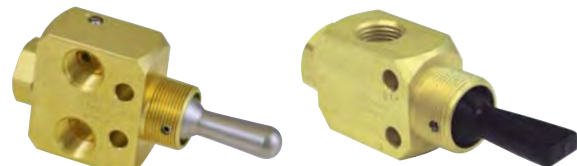


Adjustable
(NP Brass Toggle shown)

Full-Flow
(Plastic Toggle shown)

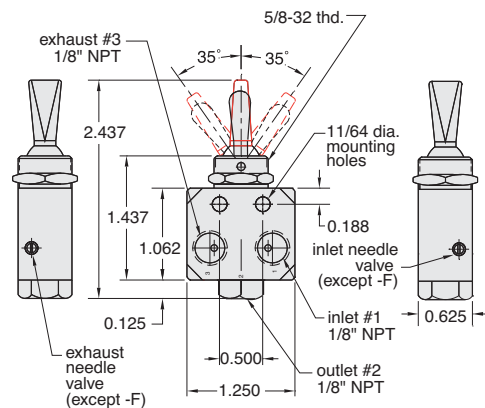


3 Position Fill & Bleed Valves, 1/8" NPT



Adjustable
(NP Brass Toggle shown)

Full-Flow
(Plastic Toggle shown)



Part No.	Description
FBV-3D	Adj. Valve, Detented/Detented, Plastic Toggle
FBV-3DF	Full-Flow Valve, Detented/Detented, Plastic Toggle
FBV-3M	Adj. Valve, Momentary/Momentary, Plastic Toggle
FBV-3MF	Full-Flow Valve, Momentary/Momentary, Plastic Toggle
FBV-3DM	Adj. Valve, Detented/Momentary, Plastic Toggle
FBV-3DMF	Full-Flow Valve, Detented/Momentary, Plastic Toggle
FBV-3D-H	Adj. Valve, Detented/Detented, ENP Brass Toggle
FBV-3DF-H	Full-Flow, Detented/Detented, ENP Brass Toggle
FBV-3M-H	Adj. Valve, Momentary/Momentary, ENP Brass Toggle
FBV-3MF-H	Full-Flow, Momentary/Momentary, ENP Brass Toggle
FBV-3DM-H	Adj. Valve, Detented/Momentary, ENP Brass Toggle
FBV-3DMF-H	Full-Flow, Detented/Momentary, ENP Brass Toggle

Part No.	Description
FBV-3DP	Adjustable Valve, Detented/Detented, Plastic Toggle
FBV-3DPF	Full-Flow Valve, Detented/Detented, Plastic Toggle
FBV-3MP	Adjustable Valve, Momentary/Momentary, Plastic Toggle
FBV-3MPF	Full-Flow Valve, Momentary/Momentary, Plastic Toggle
FBV-3DMP	Adjustable Valve, Detented/Momentary, Plastic Toggle
FBV-3DMPF	Full-Flow Valve, Detented/Momentary, Plastic Toggle
FBV-3DP-H	Adjustable Valve, Detented/Detented, ENP Brass Toggle
FBV-3DPF-H	Full-Flow Valve, Detented/Detented, ENP Brass Toggle
FBV-3MP-H	Adjustable Valve, Momentary/Momentary, ENP Brass Toggle
FBV-3MPF-H	Full-Flow Valve, Momentary/Momentary, ENP Brass Toggle
FBV-3DMP-H	Adjustable Valve, Detented/Momentary, ENP Brass Toggle
FBV-3DMPF-H	Full-Flow Valve, Detented/Momentary, ENP Brass Toggle